

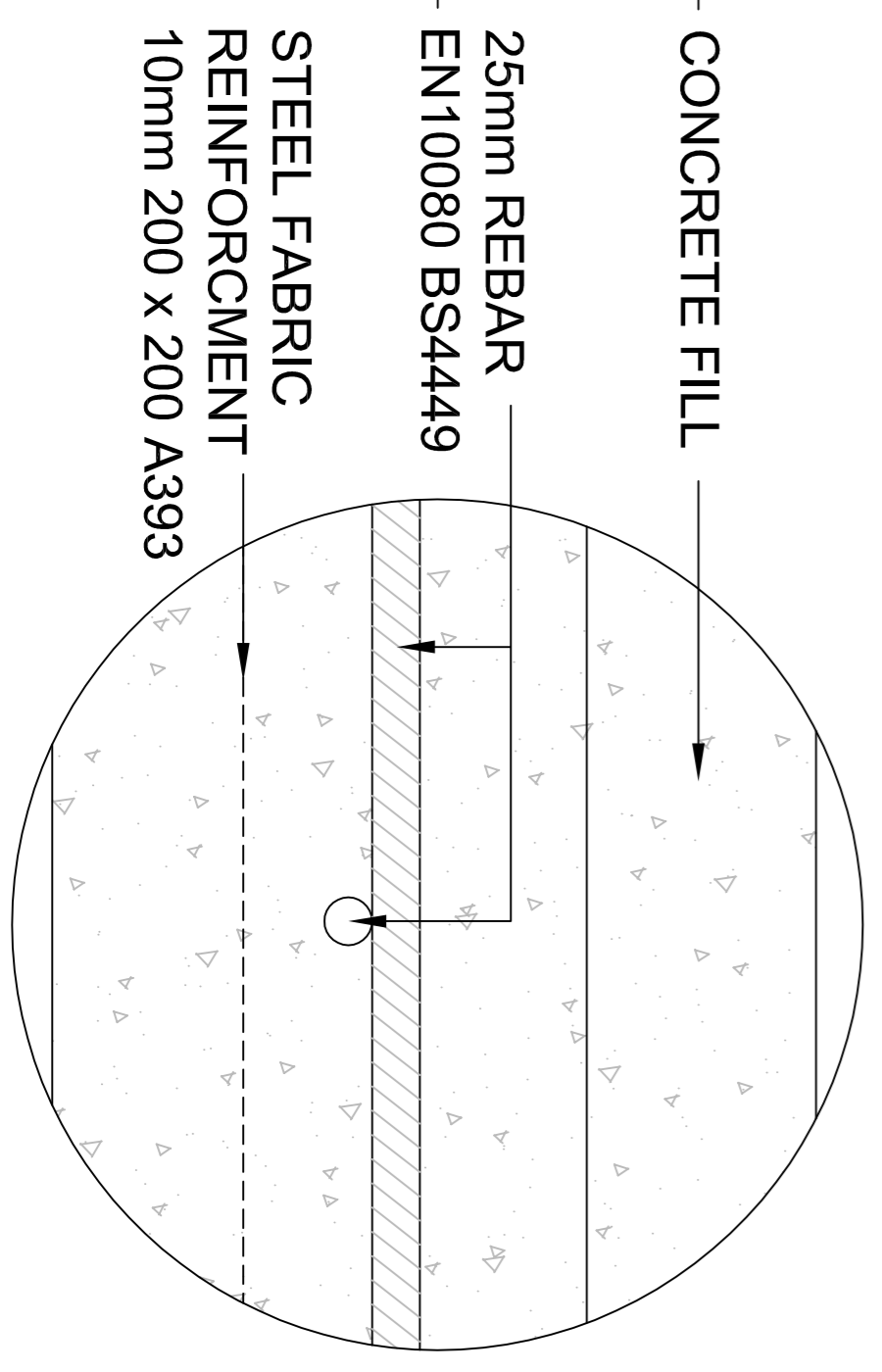
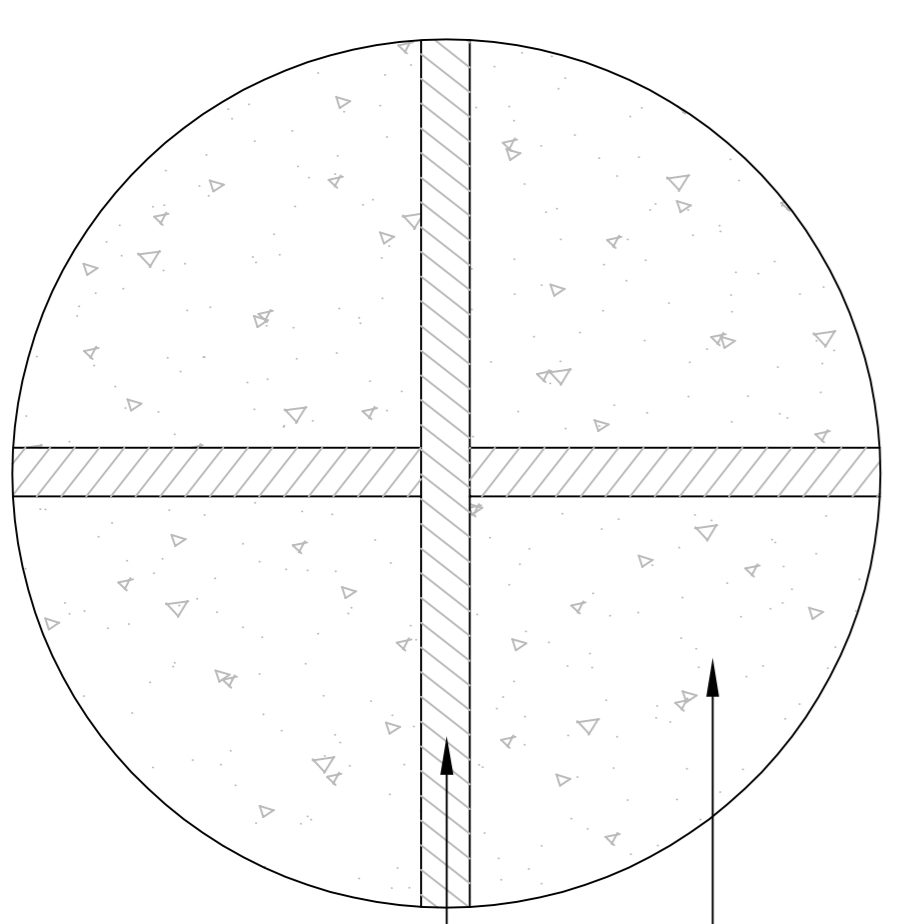
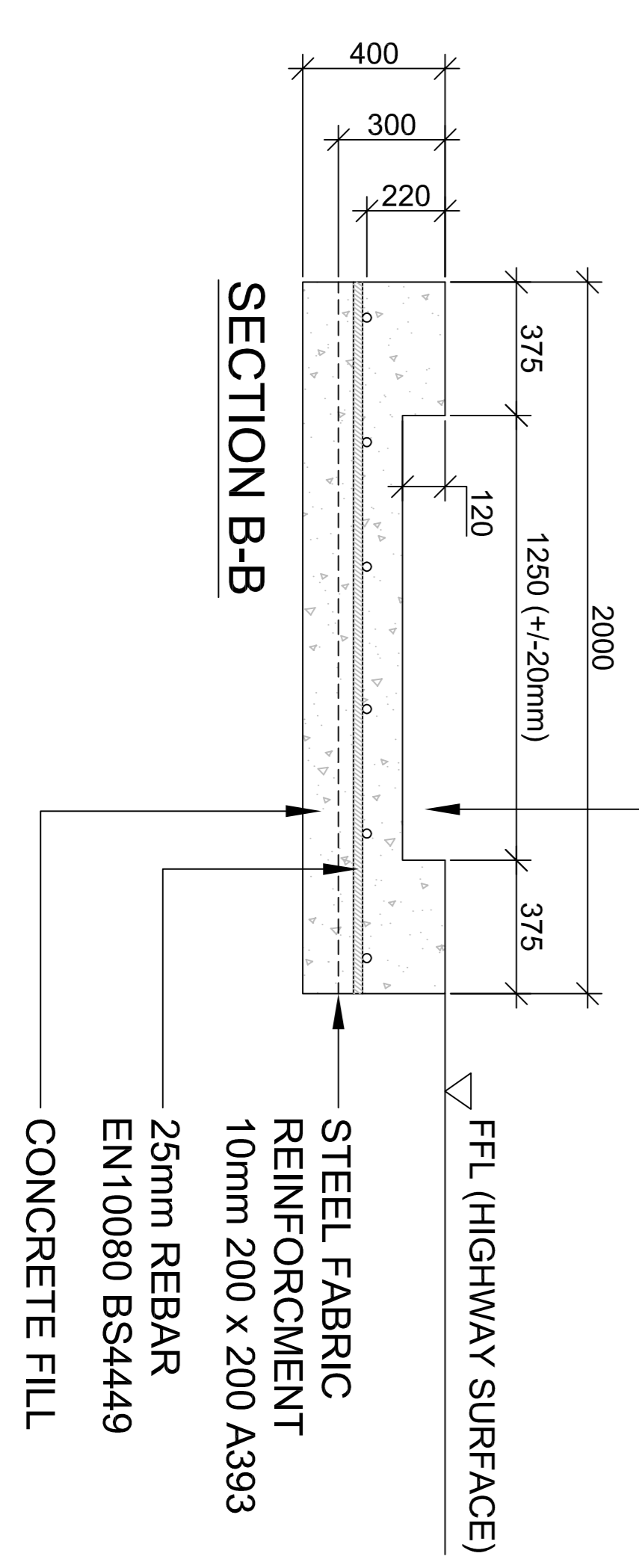
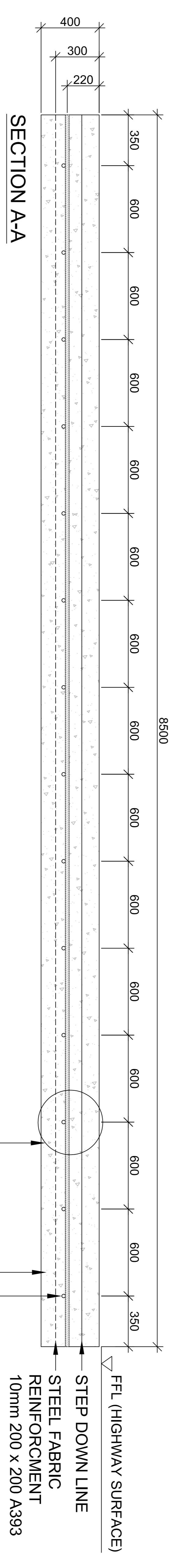
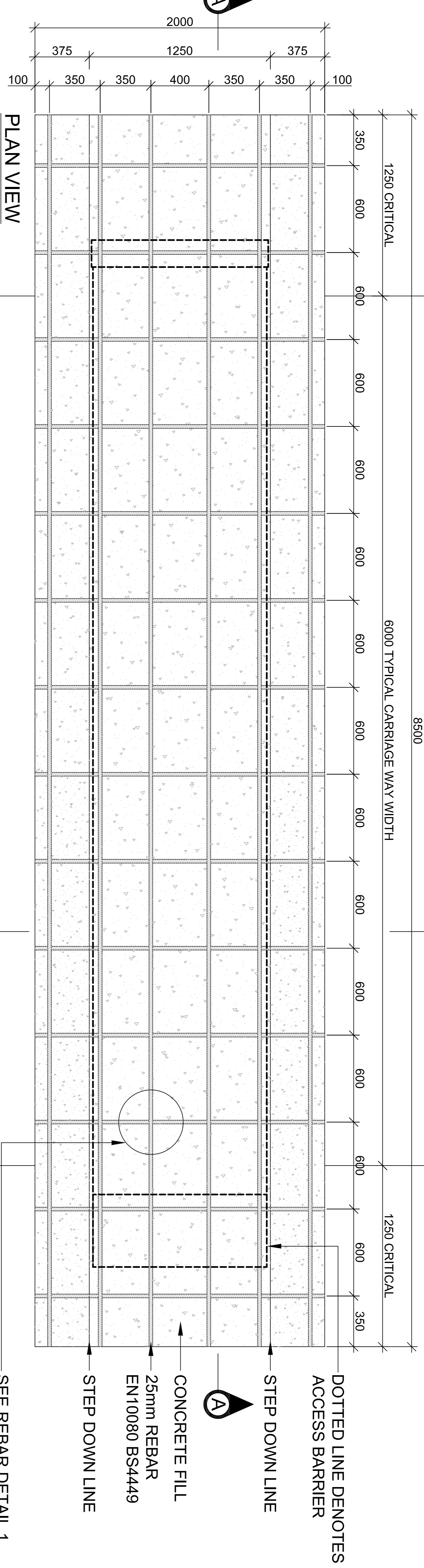
Rev	Date	Description	Drawn	Check	Approve

NOTES:

THIS DRAWING SHOWS A BARRIER WITH A 6 METRE PASS THROUGH!
 THE CAST CONCRETE BASE TO BE 2.5 METRES WIDER THAN VEHICLE PASS THROUGH WIDTH
 THE ENDS OF THE CAST CONCRETE BASE TO REMAIN OPEN FOR STORM WATER DRAINAGE.

MATERIALS:

- 1) CONCRETE MIX
- 2) 25mm REBAR - EN10080 BS4449
- 3) STEEL FABRIC REINFORCEMENT - 10mm 200 x 200 A393



Client

ACCESS CONTROL BARRIER

Project

GROUND WORK DETAILS

Drawing Number

VAC B/12136891/022

Scale

VARIOUS

Sheet

1 OF 1

Rev

-

Drawn

JG